

MAN | 6X2*4 | RETARDER | BDF | STEERING AXLE | EURO 6

COMMON

ID	114068
Make	MAN
Construction	BDF System
Model	TGX 26.640

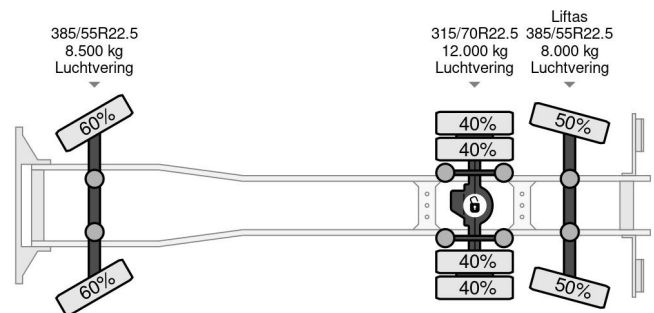
PROPERTIES

Year	2018
Emissionclass	6
Mileage	531.047 km
First registration date	30-07-2018
Vehicle identification number	WMA21XZZ9JM787446
Axle configuration	6x2
Weight	10.900 kg
Load capacity	17.025 kg
Gross weight	28.000 kg
Wheelbase	480



MAN TGX 26.640 | 6X2*4 | RETARDER | BDF | STEERING ...

Referentienummer: 114068



ACCESSORIES

- Air conditioning
- Air horn
- Air suspension
- Air Suspension Seats
- Aluminium fuel tank
- Anti-lock braking system
- Automatic
- Bluetooth
- Climate control
- Coupling
- Cruise control
- Differential Lock
- Leather interior
- Navigation system
- Onboard Computer
- Retarder
- Reversing camera
- Roof spoiler
- Spotlights
- Toolbox
- Vehicle heater
- Visor

DESCRIPTION

For sale

Make and model: MAN TGX 26.640
 Wheel formula: 6x2*4
 First registration: 30-07-2018
 VIN: WMA21XZZ9JM787446
 Mileage: 531.047 km
 Construction: BDF / Chassis
 Wheelbase: 4.80 m
 GVW: 28.000 kg
 CVW: 65.000 kg
 Empty weight: 10.900 kg
 Load capacity: 17.025 kg

Engine:
 Power: 471 kW / 640 HP
 Cylinders: 6
 C...