

Scania 6X2 RETARDER STEERING AXLE GETREIDE KIPPER

COMMON

ID	112390.01
Make	Scania
Construction	Tipper
Model	R450 NGS

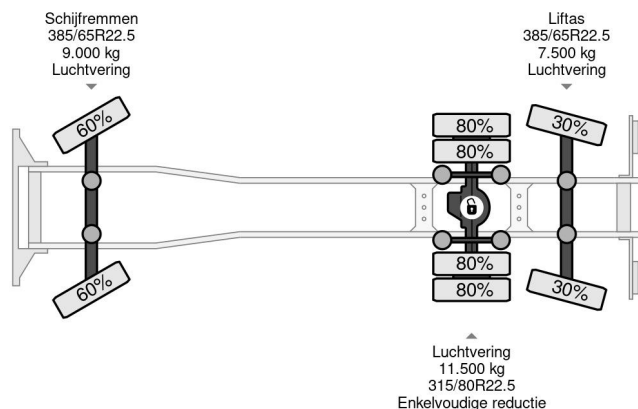
PROPERTIES

Year	2018
Emissionclass	6
Mileage	915.961 km
First registration date	01-02-2018
License plate	14-BKL-2
Vehicle identification number	YS2R6X20009230996
Axle configuration	6x2
Weight	11.475 kg
Load capacity	16.525 kg
Gross weight	28.000 kg
Wheelbase	430
Length	860 cm
Width	255 cm



Scania R450 NGS 6X2 RETARDER STEERING AXLE GETR...

Referentienummer: 112390.01



ACCESSORIES

- Air conditioning • Air horn • Alarm • Aluminium fuel tank
- Anti-lock braking system • ASR (Anti-Slip Regulation/Traction Control) • Central locking • Climate control • Coupling • Cruise control • EBS • Electrically operated windows • Fog lights • Heater • Heavy duty engine brake • Intarder • Leather interior • Light (metallic) rims • Navigation system • Particulate filter • Passenger seat • PTO • Radio/Cd/Audio system • Refrigerator • Retarder • Speed limiter • Spotlights • Stability control • Toolbox • Vehicle heater

DESCRIPTION

Damages: none

VIDEO AVAILABLE, ASK FOR IT!

Make and model: Scania R450 NGS
 Wheel formula: 6x2
 First registration: 01-02-2018
 VIN: YS2R6X20009230996
 Mileage: 915.961 km
 Construction: aluminium tipper
 Wheelbase: 4.30 m
 GVW: 28.000 kg
 Empty weight: 11.475 kg
 Loading capacity: 16.525 kg

Engine:
 330 KW / 450 HP